

# GO

# MATHS

## Student Journal

*Sample Unit*



***Authors***

Brian Tickle BA  
James Burnett MEd  
Calvin Irons PhD

***Contributing Author***

Allan Turton BEd

***Series Consultants***

Anita Chin MEd  
Jan Glazier MA  
Bruce Llewellyn BSc

1. Record the steps you use to figure out each of these. Then write the answer.

a.

$327 + 46 = \underline{\hspace{2cm}}$

b.

$37 + 254 = \underline{\hspace{2cm}}$

c.

$565 + 28 = \underline{\hspace{2cm}}$

d.

$463 + 75 = \underline{\hspace{2cm}}$

e.

$83 + 154 = \underline{\hspace{2cm}}$

f.

$385 + 74 = \underline{\hspace{2cm}}$

g.

$576 + 85 = \underline{\hspace{2cm}}$

h.

$74 + 358 = \underline{\hspace{2cm}}$

i.

$486 + 55 = \underline{\hspace{2cm}}$

2. Record your steps and write the answers.

a.

$685 + 573 = \underline{\hspace{2cm}}$

b.

$347 + 576 = \underline{\hspace{2cm}}$


c.

$856 + 478 = \underline{\hspace{2cm}}$


## Distances Driven in 1 Year

	Jan.–Mar.	Apr.–Jun.	Jul.–Sep.	Oct.–Dec.
Kirra	2074 km	6958 km	5471 km	3685 km
Jordan	3852 km	5726 km	4387 km	3475 km
Chen	4268 km	5043 km	3708 km	6197 km
Hope	6873 km	1583 km	4096 km	4988 km


1. Figure out how far each person drove in the first half of the year. Record the steps you use.




Total \_\_\_\_\_ km



Total \_\_\_\_\_ km




Total \_\_\_\_\_ km




Total \_\_\_\_\_ km


2. Figure out the distance driven in the second half of the year. Record the steps you use.




Total \_\_\_\_\_ km



Total \_\_\_\_\_ km



Total \_\_\_\_\_ km



Total \_\_\_\_\_ km

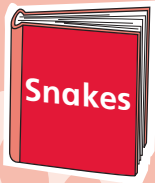
3. Who drove the greatest distance for the year? Write how you know.

---



---

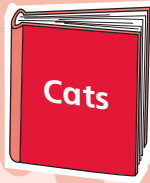
## Mega Book Sale



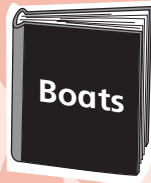
\$18.50



\$26.30



\$12.60



\$27.80



\$13.70



\$38.60



\$17.20



\$21.70

1. Record the steps you use to figure out the cost of each purchase.

a. **Trains and Snakes**

Total \_\_\_\_\_

b. **Dogs and Trucks**

Total \_\_\_\_\_

c. **Cats and Bikes**

Total \_\_\_\_\_

d. **Snakes and Dogs**

Total \_\_\_\_\_

e. **Trucks and Birds**

Total \_\_\_\_\_

f. **Birds and Boats**

Total \_\_\_\_\_

g. **Boats and Trains**

Total \_\_\_\_\_

h. **Trucks and Cats**

Total \_\_\_\_\_

2. Write the titles of two books that you have not added. Show how you figured out the total cost.

a.

Book 1: \_\_\_\_\_

Book 2: \_\_\_\_\_

Total \_\_\_\_\_

b.

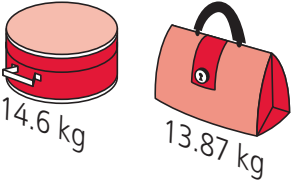
Book 1: \_\_\_\_\_

Book 2: \_\_\_\_\_

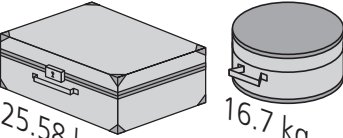
Total \_\_\_\_\_

# Adding Two Decimal Fractions

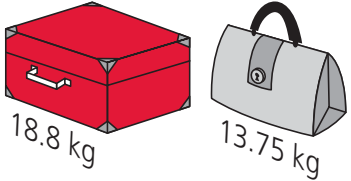
Calculate the total mass of these bags at the airport. Record the steps you use.

a.   
14.6 kg      13.87 kg

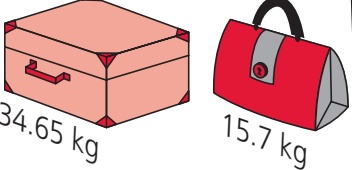
Total mass \_\_\_\_\_

b.   
25.58 kg      16.7 kg

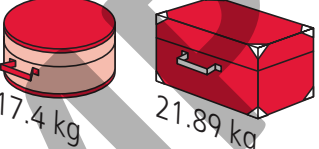
Total mass \_\_\_\_\_

c.   
18.8 kg      13.75 kg

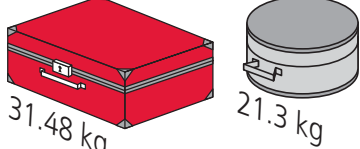
Total mass \_\_\_\_\_

d.   
34.65 kg      15.7 kg

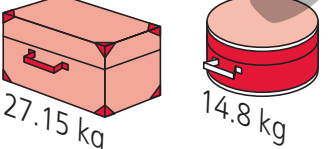
Total mass \_\_\_\_\_

e.   
17.4 kg      21.89 kg

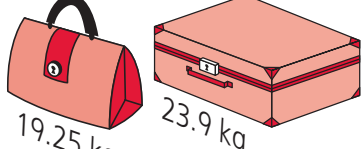
Total mass \_\_\_\_\_

f.   
31.48 kg      21.3 kg

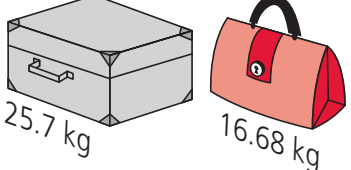
Total mass \_\_\_\_\_

g.   
27.15 kg      14.8 kg

Total mass \_\_\_\_\_

h.   
19.25 kg      23.9 kg

Total mass \_\_\_\_\_

i.   
25.7 kg      16.68 kg

Total mass \_\_\_\_\_



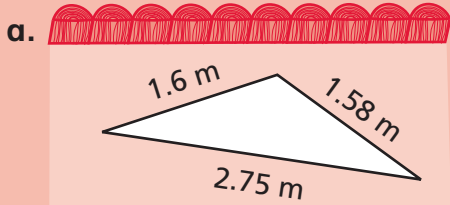
Place the digits 1 to 6 in the boxes so the answer is close to 30.

$$\begin{array}{|c|c|c|} \hline \square & \square & \square \\ \hline \end{array} + \begin{array}{|c|c|c|} \hline \square & \square & \square \\ \hline \end{array} = \underline{\quad}$$

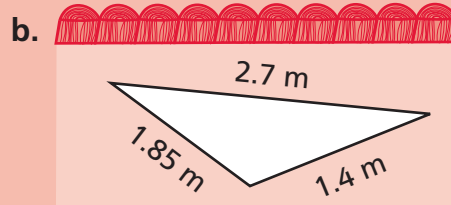
# Adding Three or More Decimal Fractions

OUTCOME  
NS 3.4

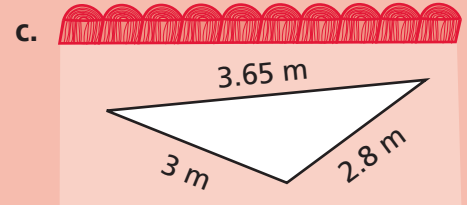
Calculate the total length of each garden's edges. Record the steps you use.



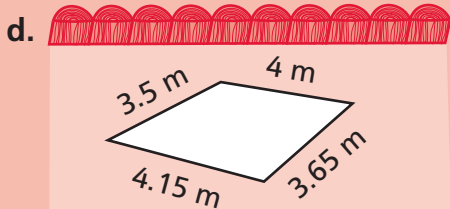
Total length \_\_\_\_\_



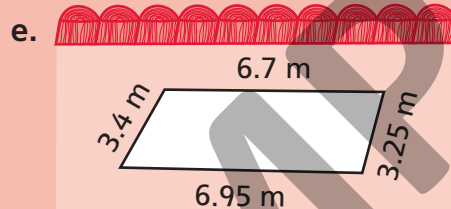
Total length \_\_\_\_\_



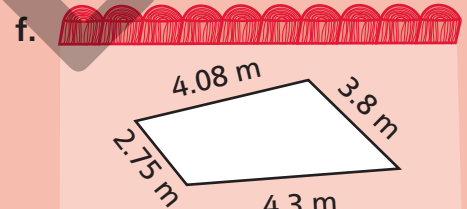
Total length \_\_\_\_\_



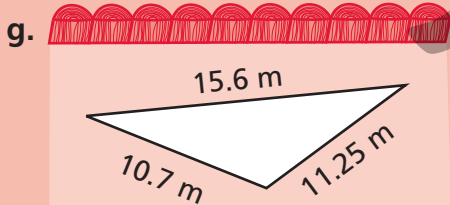
Total length \_\_\_\_\_



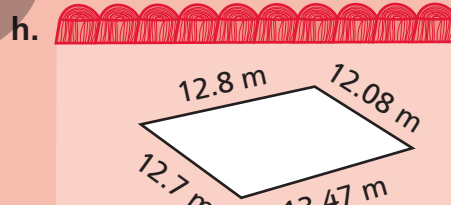
Total length \_\_\_\_\_



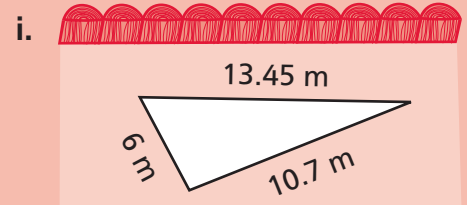
Total length \_\_\_\_\_



Total length \_\_\_\_\_



Total length \_\_\_\_\_



Total length \_\_\_\_\_